

Delta Ventilation Fans

Wall Mount Type VFB350FTH

Features

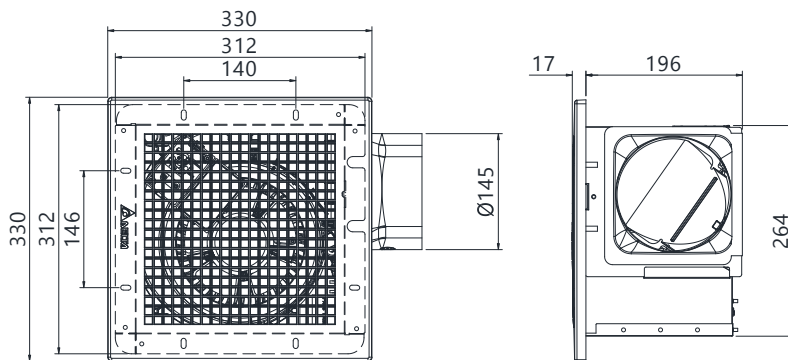
- ▲ High Efficient DC Brushless Motor
- ▲ Low Noise & Power Consumption
- ▲ Long Life Ball Bearing Design
- ▲ Soft-Start Drive
- ▲ Locked Protection



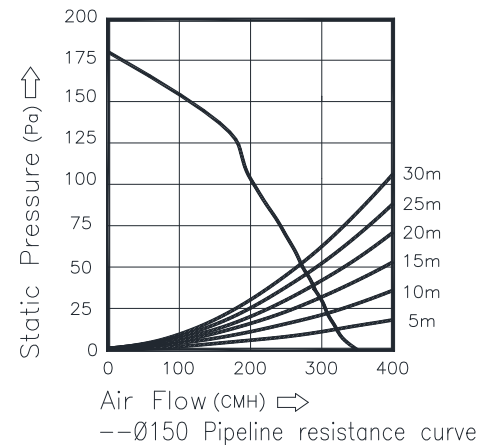
Application

Bathroom & Bedroom / Dining Room & Living Room /
Meeting Room / Office

Dimension



P&Q Curve



Specifications

Model	Grille Size	Mounting Opening	Duct Size	Weight	Power Rating	Power Consumption	Maximum Air Flow		Maximum Air Pressure		Noise	Remark
PART NO.	mm	mm	mm	kg	VAC	Watt	m ³ /h	CFM	Pa	inAq	dB-A	---
VFB350FTH	330 X 330	270 X 270	Ø150	3.8	220/50	20.0	350	206	180	0.72	35	

- * The max. air flow is measured in free air; the max. air pressure is measured at zero air flow.
- * Noise is measured in semi-anechoic chamber in free air, one meter from intake, right and left side, 3 microphones to average.
- * All readings are typical values at rated voltage.
- * Specifications are subject to change without notice.