

Delta Ventilation Fans

VFB200DTH

Features

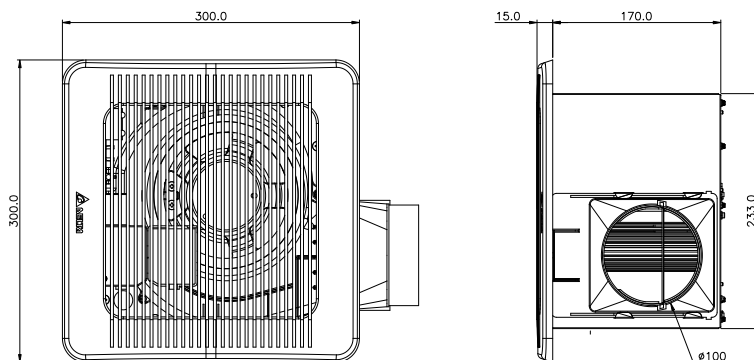
- ▲ High Efficiency Brushless DC Motor
- ▲ Low Power Consumption
- ▲ Low Noise Design
- ▲ Long Life Ball Bearings
- ▲ Soft Start Control
- ▲ Locked Protection



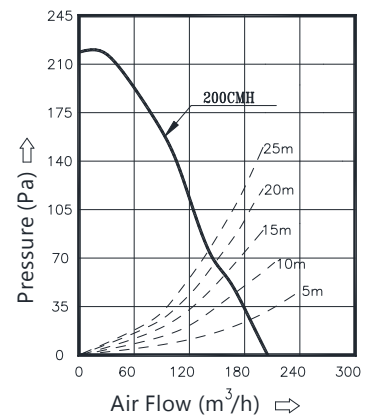
Application

Bathroom & Bedroom / Dining Room & Living Room /
Meeting Room / Office

Dimensions unit: mm



P&Q Curve



Specifications

Model	Grille Size	Install Size	Duct Size	Weight	Nominal Voltage	Input Power	Maximum Airflow	Maximum Air Pressure	Noise	Remark	
PART NO.	mm	mm	mm	kg	VAC	Watt	m³/h	CFM	Pa	dB-A	---
VFB200DTH	300 X 300	240 X 240	100	3.4	220/50	11.0	200	117.8	215	38	

* The max. air flow is measured in free air; the max. air pressure is measured at zero air flow.

* Noise is measured in semi-anechoic chamber in free air, one meter from intake, right and left side, 3 microphones to average.

* All readings are typical values at rated voltage.

* Specifications are subject to change without notice.